



**SALVATORE  
ROBUSCHI  
POMPE PARMA**

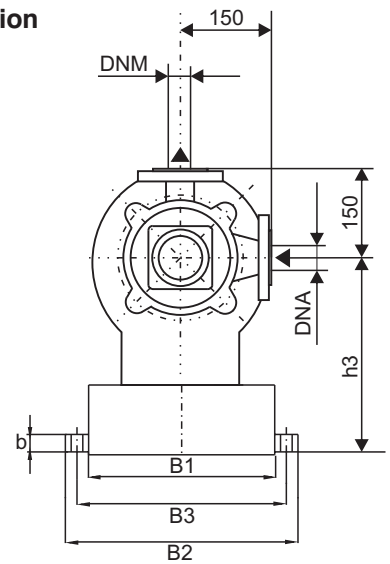
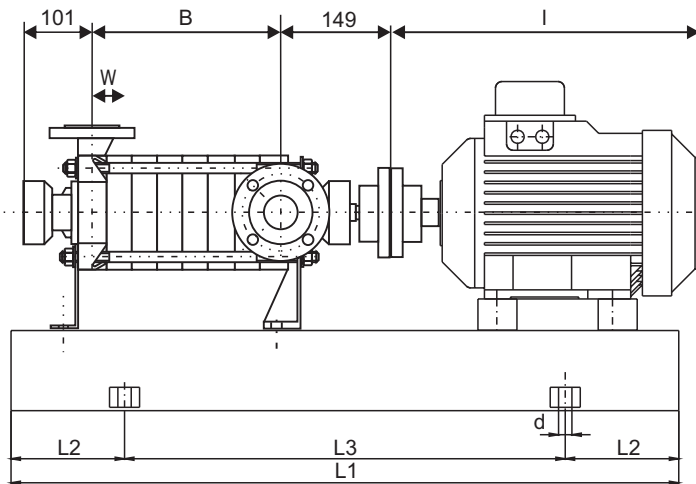
**TSB-TSKB 31  
TSB-TSKB 32**

**Pompe centrifughe multistadio  
con giunto standard  
Multistage centrifugal pumps  
with standard coupling**

DATA: 09-11-04

N : T - 1709

**Dimensioni di Ingombro - Overall Dimension**



Tipo Type	Motore 2 poli - 2 Poles Motor					Dimensioni - Dimensions													Peso Totale Total Weight kg
	Grandezza Size	kW	Bas. n°	I*	Pompa - Pump														
					DNA	DNM	L1	L2	L3	B1	B2	B3	d	b	W	B	h3		
31-3 32-3	132SA	5.5	2	532	40	32	1000	170	660	320	400	360	19	30	70	127	252	120	
31-4 32-4	132M	5.5	2	532	40	32	"	"	"	"	"	"	"	"	"	166	252	135	
31-5 32-5	132SA	5.5	2	532	40	32	"	"	"	"	"	"	"	"	"	205	252	131	
32-5	132S	7.5	2	532	40	32	"	"	"	"	"	"	"	"	"	205	252	135	
31-6 32-6	132SA	5.5	3	532	40	32	1200	205	790	360	440	400	19	30	100	244	252	141	
	132S	7.5	3	532	40	32	"	"	"	"	"	"	"	"	"	244	252	144	
32-6	132M	9.2	3	532	40	32	"	"	"	"	"	"	"	"	"	244	252	151	
31-7 32-7	132SA	5.5	3	532	40	32	"	"	"	"	"	"	"	"	"	283	252	151	
	132S	7.5	3	532	40	32	"	"	"	"	"	"	"	"	"	283	252	154	
	132M	9.2	3	532	40	32	"	"	"	"	"	"	"	"	"	283	252	161	
32-7	160MA	11	3	636	40	32	"	"	"	"	"	"	"	"	"	283	280	185	
31-8 32-8	132S	7.5	3	532	40	32	"	"	"	"	"	"	"	"	"	322	252	159	
	132M	9.2	3	532	40	32	"	"	"	"	"	"	"	"	"	322	252	166	
32-8	160MA	11	3	636	40	32	"	"	"	"	"	"	"	"	"	322	280	190	
	160M	15	3	636	40	32	"	"	"	"	"	"	"	"	"	322	280	198	
31-9 32-9	132S	7.5	3	532	40	32	"	"	"	"	"	"	"	"	"	361	252	164	
	132M	9.2	3	532	40	32	"	"	"	"	"	"	"	"	"	361	252	171	
	160MA	11	3	636	40	32	"	"	"	"	"	"	"	"	"	361	280	195	
32-9	160M	15	3	636	40	32	"	"	"	"	"	"	"	"	"	361	280	205	
31-10 32-10	132M	9.2	4	532	40	32	1500	245	1010	380	460	420	19	30	140	400	252	186	
	160MA	11	4	636	40	32	"	"	"	"	"	"	"	"	"	400	280	211	
32-10	160M	15	4	636	40	32	"	"	"	"	"	"	"	"	"	400	280	221	
	160L	18.5	4	646	40	32	"	"	"	"	"	"	"	"	"	400	280	230	
31-11 32-11	132M	9.2	4	532	40	32	"	"	"	"	"	"	"	"	"	439	252	191	
	160MA	11	4	636	40	32	"	"	"	"	"	"	"	"	"	439	280	215	
	160M	15	4	636	40	32	"	"	"	"	"	"	"	"	"	439	280	225	
32-11	160L	18.5	4	646	40	32	"	"	"	"	"	"	"	"	"	439	280	234	
31-12 32-12	160MA	11	4	636	40	32	"	"	"	"	"	"	"	"	"	478	280	220	
	160M	15	4	636	40	32	"	"	"	"	"	"	"	"	"	478	280	230	
32-12	160L	18.5	4	646	40	32	"	"	"	"	"	"	"	"	"	478	280	239	
31-13 32-13	160MA	11	4	636	40	32	"	"	"	"	"	"	"	"	"	517	280	225	
	160M	15	4	636	40	32	"	"	"	"	"	"	"	"	"	517	280	235	
32-13	160L	18.5	4	646	40	32	"	"	"	"	"	"	"	"	"	517	280	245	
31-14 32-14	160MA	11	4	636	40	32	"	"	"	"	"	"	"	"	"	556	280	230	
	160M	15	4	636	40	32	"	"	"	"	"	"	"	"	"	556	280	240	
32-14	160L	18.5	4	646	40	32	"	"	"	"	"	"	"	"	"	556	280	250	

FLANGIA ASP. (PN 16 UNI 2237) SUCTION FLANGE						FLANGIA PREM. (PN 40 UNI 2237) DISCHARGE FLANGE					
DNA	DE	CF	DR	Fori - Holes N°	Lf	DNM	DE	CF	DR	Fori - Holes N°	Lf
40	150	110	88	4	18	32	140	100	78	4	18

