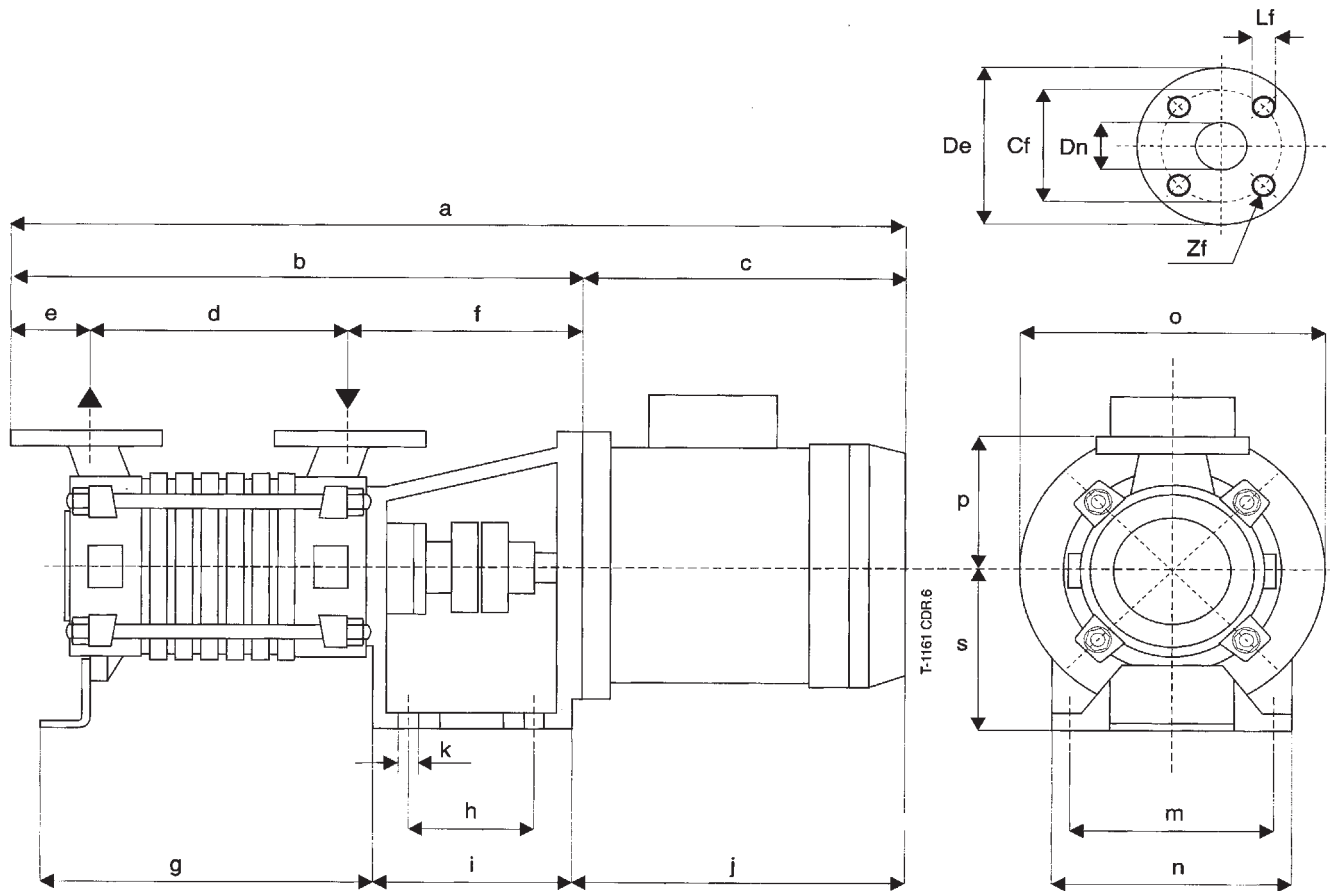




Dimensioni di ingombro / Overall dimensions



DIMENSIONI IN mm / PESO IN Kg - Dimensions in mm / Weight in Kg

TIPO TYPE	KW	a	b	c	d	e	f	g	h	i	K	j	m	n	o	p	s	Dn	Cf	De	LF	ZF	PESO (1) Weight
RACM 301	0.75	601	366	235	132	60	174	(2)	98	147	15	245	165	180	200	118	128	32	90	120	14	4	25.5
RACM 302	1.1	656	406	250	172	"	"	"	"	"	"	260	"	"	"	"	"	"	"	"	"	"	28.5
RACM 303	2.2	766	466	300	212	"	194	"	"	"	"	310	"	"	250	"	"	"	"	"	"	"	31.5
RACM 304	2.2	806	506	"	252	"	"	"	"	"	"	"	"	"	"	"	"	"	"	"	"	"	34.5
RACM 311	0.75	601	366	235	132	60	174	"	98	147	15	245	160	180	200	118	128	32	90	120	14	4	25.5
RACM 312	1.5	686	406	280	172	"	"	"	"	"	"	290	"	"	"	"	"	"	"	"	"	"	28.5
RACM 313	2.2	766	466	300	212	"	194	"	"	"	"	310	"	"	250	"	"	"	"	"	"	"	31.5
RACM 314	3	806	506	"	252	"	"	"	"	"	"	"	"	"	"	"	"	"	"	"	"	"	34.5
RACM 401	1.1	660	410	250	163	75	172	"	98	147	15	260	160	180	200	126	128	40	110	150	18	4	31.5
RACM 402	2.2	786	486	300	219	"	192	"	"	"	"	310	"	"	250	"	"	"	"	"	"	"	37
RACM 403	3	842	542	"	275	"	"	"	"	"	"	"	"	"	"	"	"	"	"	"	"	"	42
RACM 404	4	928	598	330	331	"	"	"	"	"	"	"	"	"	"	"	"	"	"	"	"	"	47

(1) PESO SENZA MOTORE
Weight without electric motor

(2) ESECUZIONE CON PIEDE A RICHIESTA
Foot execution on request

DATI E PESI SUSCETTIBILI DI VARIAZIONE
Dimensions and Weight are subject to variation